

Midi Vibrating Horns

Compact size

118 & 123A Series



Edwards 118 Series DC and 123A Series AC Midi Vibrating Horns are designed primarily for security systems and for signaling devices on an OEM basis.

Supplied with mounting bracket and simply attaches to mounting surface using #8-32 screw.

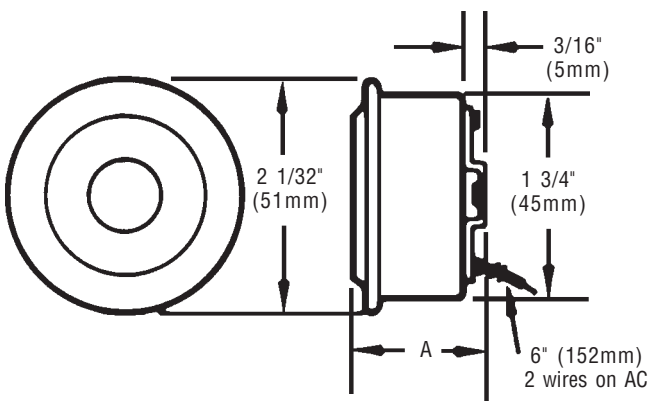
Used for security systems, office machines, low-voltage trouble alarms, home appliances, data monitoring systems, computers, and timing devices.

FEATURES

- > Low power drain
- > Compact size
- > Shock resistant
- > Easy surface mount installation

SPECIFICATIONS

- > Temperature range: -40° to 180°F (-40 to 82°C)
- > Weight: 3 oz (85g)



Cat No.	Volts	Amps	VA	DC Coil Res (ohms)	dB at 1m / 10 ft.	Width (A dimension)
118-E1	12V DC	0.07A	0.84	25.5	92 / 86	1 11/64"
118-G1	24V DC	0.03A	0.72	102.0		(30mm)
123A-E5	12V AC 60 Hz	0.4A	4.8	10.0	92 / 86	1 3/16"
123A-G5	24V AC 60 Hz	0.2A	4.8	40.0		(30mm)
123A-N5	120V AC 60 Hz	0.04A	4.8	1200.0		