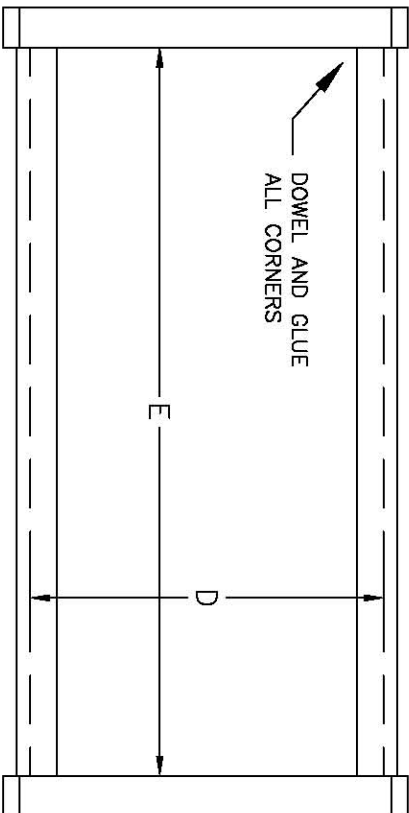


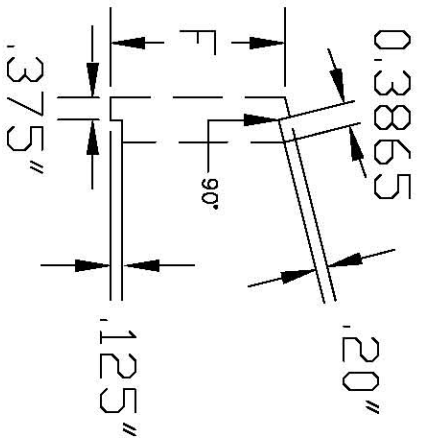
MATERIAL IS STAINED AND SEALED 3/4" OAK



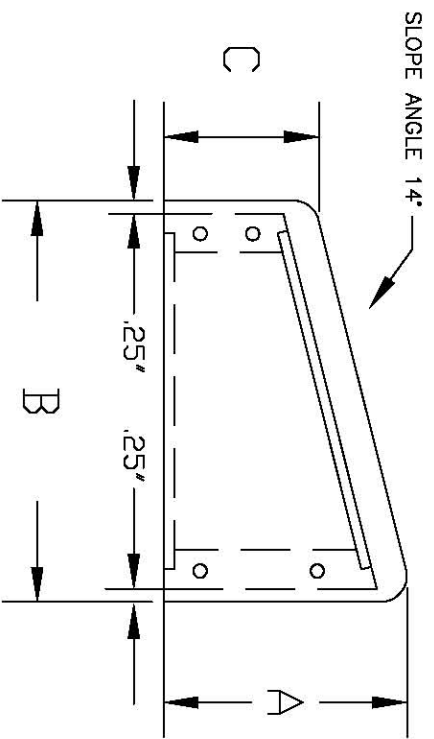
TOP VIEW

DIMENSIONS IN INCHES

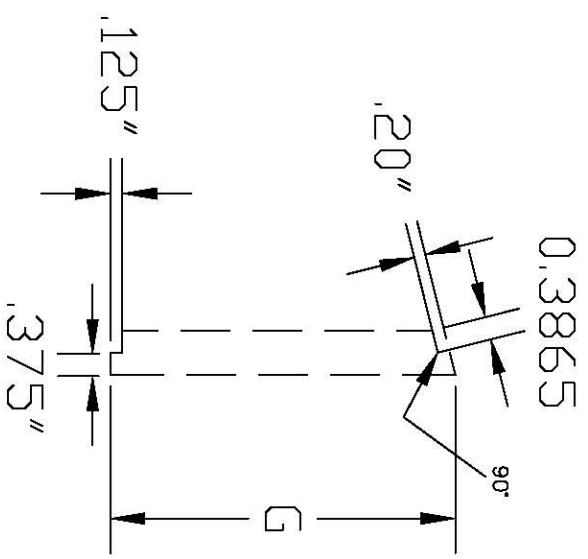
BOX#	A	B	C	D	E	F	G
SE-01	4.15	5.74	3	4.625	10.125	2.37	3.60
SE-02	4.65	7.68	3	6.625	13.625	2.37	4.07
SE-03	4.42	6.71	3	5.625	19.125	2.37	3.83
SE-04	4.88	8.65	3	7.625	19.125	2.37	4.31
SE-05	5.12	9.62	3	8.625	19.125	2.37	4.55
SE-06	5.49	11.08	3	10.125	19.125	2.37	4.92
SE-20	5.50	7.19	4.625	6.125	13.125	4.00	5.00
SE-21	5.50	7.19	4.625	6.125	19.125	4.00	5.00
SE-22	5.50	11.08	4.625	10.125	19.125	4.00	5.00
SE-23	5.50	14.375	4.625	13.625	19.125	4.00	5.00
SE-37	5.61	11.56	3	10.625	19.125	2.37	5.04
SE-40	6.38	12.05	3.63	11.125	10.125	3.00	5.81
SE-41	6.38	12.05	3.63	11.125	14.125	3.00	5.81
SE-42	6.38	12.05	3.63	11.125	18.125	3.00	5.81
SE-43	8.53	20.78	3.63	20.125	14.125	3.00	7.99



FRONT CROSSBAR



SIDE VIEW



BACK CROSSBAR

*NOT TO SCALE



DATE: JUNE 25, 2008

TITLE: SE SERIES ENCLOSURE

SYSTEM:

DRAWING #