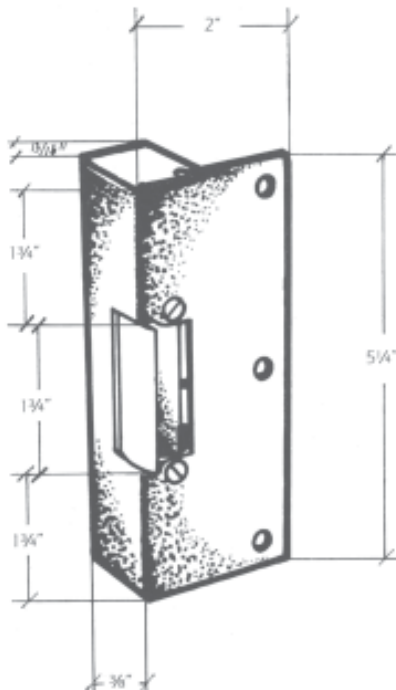


DO-304

DO-304 Dimensions



Copyright© 1996-2000, Alpha Communications®, All Rights Reserved

DO-304 Electric Door Opener Rim Type - Surface

The Alpha Communications® DO-304 surface electric door opener is a low cost rim type door opener that is designed to be used primarily onto wooden or metal door frames.

The DO-304 can be used in right-handed or left-handed installations, simply by turning the door opener upside down, during installation.

When used with an 8-16VAC input, the DO-304 makes a buzzing sound, when activated. When used with a 3-6VDC input, the DO-304 activates silently.

FEATURES

- Operates on 8-16VAC or 3-6VDC standard
- Buzzes on AC operation and is silent for DC operation
- Reversible for right-handed or left-handed installations
- Designed for Wooden or Metal door frames
- Non fail-safe operation standard
- 1000 Lbs. Holding Force
- Tested for 500,000 Cycles

NOTE: Many options are available for the DO-304 door opener, including different voltages (AC and DC), different finishes, availability of continuous duty activation, fail-safe operation, etc.

Alpha Communications® carries a complete selection of electric door openers for virtually any application. Please contact our sales dept. for more detailed information.

Due to continuous product improvement, all colors, sizes, materials, finishes and specifications are subject to change without notice.