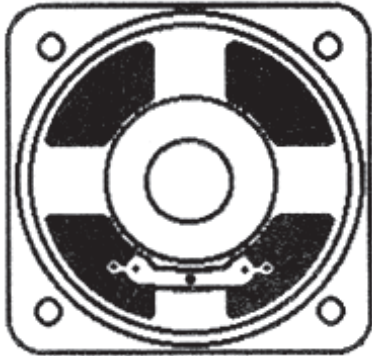
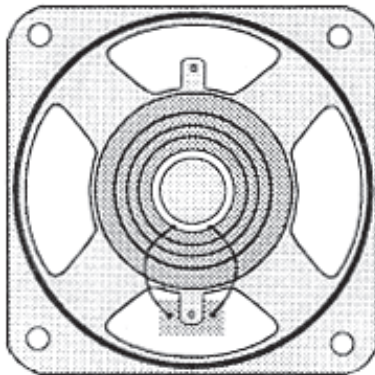


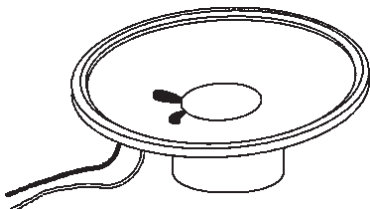
SK2275



FEB202E745 / SK013 / SK021



**SK004 / SK024 / SK026
SK300SQ45M**



**RTL / SK003 / SK006
SK200RD8 / SK200RD8M
SK275RD45M**

Replacement / Auxiliary Intercom Speakers

Alpha Communications® features a complete line of replacement and auxiliary intercom speakers for their intercoms, video-intercoms, nurse-call systems, and various signalling systems and devices.

Choose from paper cone and mylar cone models in a variety of sizes and configurations, depending upon the system they are used with.

Primary wire connections are made using pigtailed; secondary connections are made using screw terminals.

MODELS/SPECIFICATIONS

<u>FEB202E745</u>	2.50" (64mm) Square, Paper Cone, 45 ohms, pigtail wire leads
<u>RTL</u>	2.00" (50mm) Round, Paper Cone, 8 ohms, pigtail wire leads
<u>SK003</u>	1.75" (45mm) Round, Paper Cone, 45 ohms, pigtail wire leads
<u>SK004</u>	3.50" (89mm) Square, Mylar Cone, 45 ohms, screw terminal connectors
<u>SK006</u>	2.50" (64mm) Round, Paper Cone, 45 ohms, pigtail wire leads
<u>SK013</u>	3.50" (89mm) Square, Paper Cone, 45 ohms, pigtail wire leads
<u>SK021</u>	3.50" (89mm) Square, Paper Cone, 16 ohms, pigtail wire leads
<u>SK024</u>	2.50" (64mm) Square, Mylar Cone, 45 ohms, pigtail wire leads
<u>SK026</u>	2.50" (64mm) Square, Mylar Cone, 16 ohms, pigtail wire leads
<u>SK200RD8</u>	2.00" (50mm) Round, Paper Cone, 8 ohms, pigtail wire leads
<u>SK200RD8M</u>	2.00" (50mm) Round, Mylar Cone, 8 ohms, pigtail wire leads
<u>SK275RD45M</u>	2.75" (70mm) Round, Mylar Cone, 45 ohms, pigtail wire leads
<u>SK300SQ45M</u>	3.00" (76mm) Square, Mylar Cone, 45 ohms, pigtail wire leads
<u>SK2275</u>	2.00" (51mm) x 2.75" (70mm) Rectangular, Paper Cone, 45 ohms, screw terminal connectors

Due to continuous product improvement, all colors, sizes, materials, finishes and specifications are subject to change without notice.