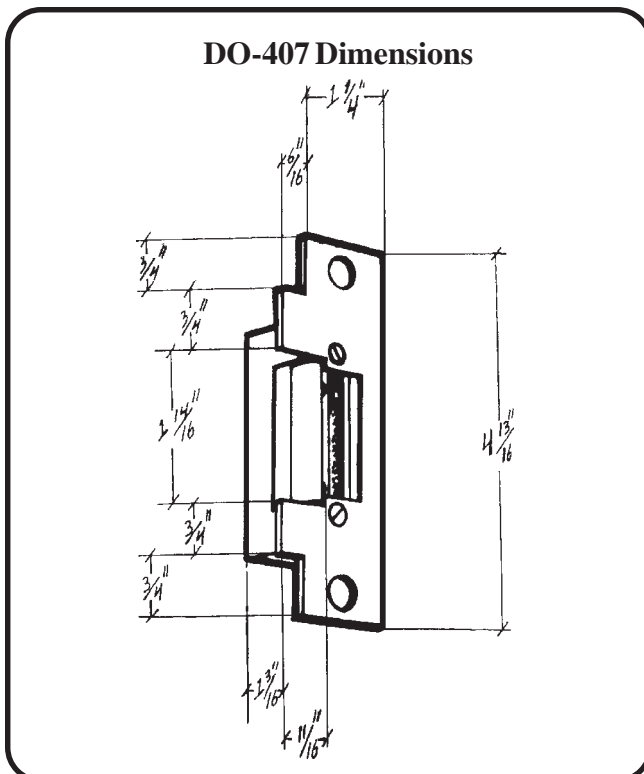


DO-407



DO-407 Dimensions

DO-407 Electric Door Opener Mortise Type - Steel

The Alpha Communications® DO-407 electric door opener is a low cost mortise type door opener that is designed to be used primarily in metal or wooden door frames. It is designed to install into a standard ANSI type cutout.

The DO-407 can be used in right-handed or left-handed installations, simply by turning the door opener upside down, during installation.

When used with an 8-16VAC input, the DO-407 makes a buzzing sound, when activated. When used with a 3-6VDC input, the DO-407 activates silently.

FEATURES

- Installs into Standard ANSI Cut-out
- Operates on 8-16VAC or 3-6VDC standard
- Buzzes on AC operation and is silent for DC operation
- Reversible for right-handed or left-handed installations
- Used primarily with Wooden door frames
- Non fail-safe operation standard
- 1000 Lbs. Holding Force
- Tested for 300,000 Cycles
- Horizontal Adjustment Screws to compensate for misalignment

SPECIFICATIONS

Faceplate: DO-407 faceplate measures 1.25"W (32mm) and 4.875"H (124mm).

NOTE: Many options are available for the DO-407 door opener, including different voltages (AC and DC), different finishes, availability of continuous duty activation, fail-safe operation, etc.

Alpha Communications® carries a complete selection of electric door openers for virtually any application. Please contact our sales dept. for more detailed information.

Due to continuous product improvement, all colors, sizes, materials, finishes and specifications are subject to change without notice.