

DO-206

DO-206 Electric Door Opener Rim Type - Surface

The Alpha Communications® DO-206 surface electric door opener is a low cost rim type door opener that is designed to be used primarily onto wooden door frames from 1.375" to 2.375".

The DO-206 can be used in right-handed or left-handed installations, simply by turning the door opener upside down, during installation.

When used with an 8-16VAC input, the DO-206 makes a buzzing sound, when activated. When used with a 3-6VDC input, the DO-206 activates silently.

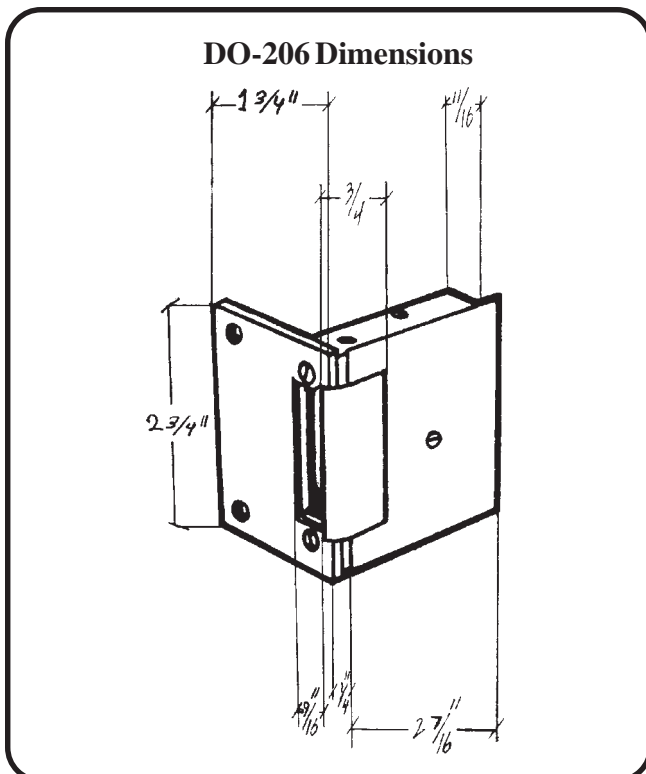
FEATURES

- Operates on 8-16VAC or 3-6VDC standard
- Buzzes on AC operation and is silent for DC operation
- Reversible for right-handed or left-handed installations
- Designed for Wooden door frames
- Non fail-safe operation standard
- 1400 Lbs. Holding Force
- Tested for 500,000 Cycles

NOTE: Many options are available for the DO-206 door opener, including different voltages (AC and DC), different finishes, availability of continuous duty activation, fail-safe operation, etc.

Alpha Communications® carries a complete selection of electric door openers for virtually any application. Please contact our sales dept. for more detailed information.

Due to continuous product improvement, all colors, sizes, materials, finishes and specifications are subject to change without notice.



Copyright© 1996-2000, Alpha Communications®, All Rights Reserved