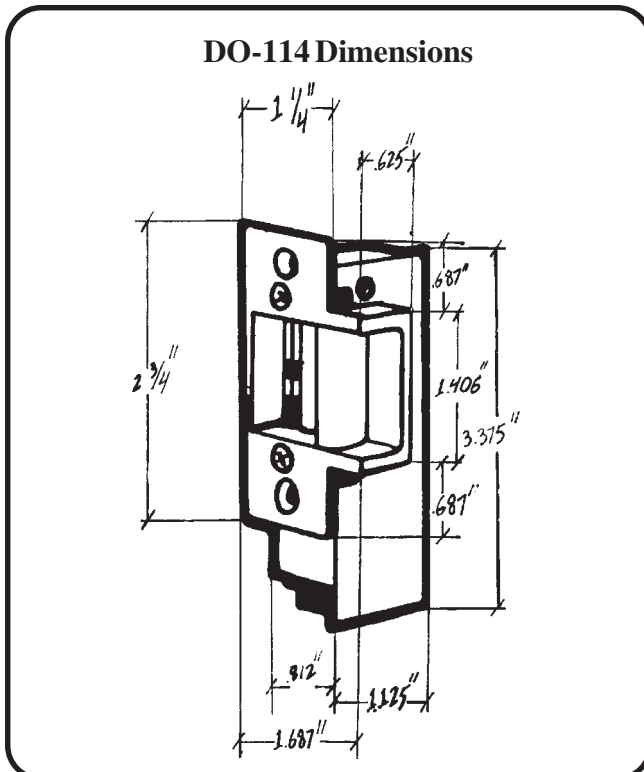


DO-114



DO-114 Electric Door Opener Mortise Type - Aluminum

The Alpha Communications® DO-114 shallow electric door opener is a low cost mortise type door opener that is designed to be used primarily in aluminum and metal door frames. It is our most compact electric door opener.

The DO-114 can be used in right-handed or left-handed installations, simply by turning the door opener upside down, during installation.

When used with an 8-16VAC input, the DO-114 makes a buzzing sound, when activated. When used with a 3-6VDC input, the DO-114 activates silently.

FEATURES

- Operates on 8-16VAC or 3-6VDC standard
- Buzzes on AC operation and is silent for DC operation
- Reversible for right-handed or left-handed installations
- Can be used with aluminum or hollow metal door frames
- Non fail-safe operation standard
- 1400 Lbs. Holding Force
- Tested for 500,000 Cycles

SPECIFICATIONS

Faceplate: DO-114 faceplate measures 1.25"W (32mm) and 2.75"H (70mm).

NOTE: Many options are available for the DO-114 door opener, including different voltages (AC and DC), different finishes, availability of continuous duty activation, fail-safe operation, etc.

Alpha Communications® carries a complete selection of electric door openers for virtually any application. Please contact our sales dept. for more detailed information.

Due to continuous product improvement, all colors, sizes, materials, finishes and specifications are subject to change without notice.