



Each Kit Consists Of:



IS204 Inside Surface Mount Stations (White)
(qty. of 1 to 8 depending upon kit selected)



(1) Compact Door Station
(supplied with surface back box and integral rain hood)
Door Remote Speaker/Panel,
with 1 to 4 push-buttons.
Model **ES04** shown

====OR====



(1) ES612 series Door Remote panel, with 5 to 8 pushbuttons.
Model **ES612/07** shown
(comes with matching surface box/housing)

(1) **IA543**
System
Intercom
Amplifier



(1) **SS105B** U.L. Listed 16VAC
Plug-In Transformer



(1) **S1** Scrulox Screwdriver
(for installation/maintenance)

(1) coil of **#2PRJ**, **#3PRJ**
or **#4PRJ** or **#12WJ**
Intercom Cable (footage and type depends upon kit model selected). **NOTE: 2 cond. #18 cable not included.**



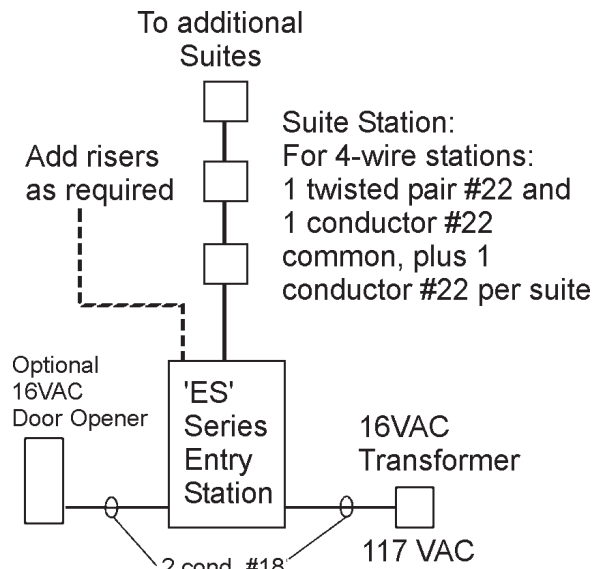
IK543/xS Series Apartment House Intercom Kits

The Alpha Communications® IK543/xS series intercom kits feature our most popular apartment house intercom systems and configurations, for buildings with 2 through 8 apartments, at a price that can't be beat! The 'x' in the model number indicates the kit size (1-8 apartments). Each kit contains 1- IS204 (white) 'Universal' 4-wire indoor remote station (for each apartment), 1- IA543 intercom amplifier (with built-in electronic tone signal), 1- SS105B U.L. listed 16VAC plug-in transformer, 1- S1 Scrulox screwdriver, 1- 'ES0' or ES612 series surface mount entry door station/panel (with 1-8 push-buttons) and coil of 2PRJ, 3PRJ or 4PRJ or 12WJ intercom cable (footage and type depends upon kit model selected).

Just add a 16VAC electric door opener, to complete your building security system. We know of no other system that can offer all of these features at this cost.

FEATURES

- Simple loop wiring from indoor station to indoor station
- Built-in electronic tone signal to each indoor station
- Exceptional voice fidelity
- Easy Installation - All Surface Mount Stations
- Built-in Door Release Capability (with optional time delay)



Due to continuous product improvement, all colors, sizes, materials, finishes and specifications are subject to change without notice. Since availability of kit components are always changing, we reserve the right to substitute equivalent components to the ones shown herein, should availability change, without notice.