



Each Kit Consists Of:



(3) IR704BD Inside Remotes (White)



(3) IH102 Flush Mounting Rings



(1) OR603 (Brown) **or**
(1) OR603W (White)
Door Remote Speaker
(BROWN Model
OR603 Shown)



(1) PK724
Tek-Com
System
Amplifier



(1) SS105B
U.L. Listed
16.5VAC
Plug-In
Transformer

(1) 200 foot
coil of
#2PRJ
Intercom
only Cable



IK724/3B and IK724/3W Residential Intercom Kits

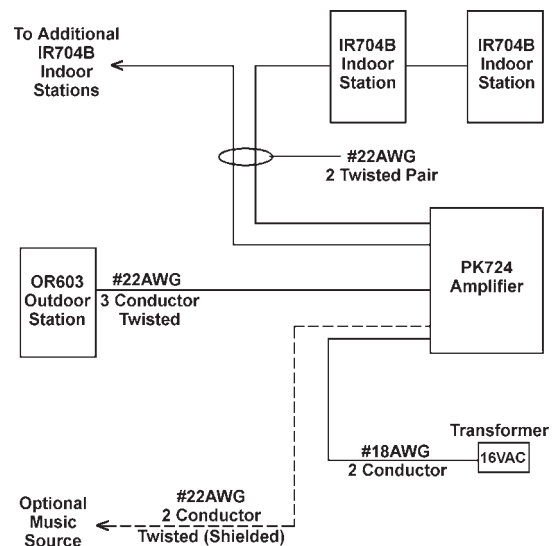
The Alpha Communications® IK724/3B and IK724/3W intercom kits feature our most popular residential intercom system and configuration, at a price that can't be beat! Each kit contains 3- IR704BD (white) indoor remote stations, 3- IH102 flush mounting rings, 1- PK724 intercom amplifier (with dual built-in electronic door chime signals), 1- SS105B U.L. listed 16.5VAC plug-in transformer, 1- OR603 (with IK724/3B) or OR603W (with IK724/3W) plastic surface mount outdoor remote station and 1- 200' coil of 2PRJ intercom cable (NOTE: if electric door release will be used, an additional 2 conductor #18AWG cable will be required which is not included in the kit).

Add up to (15) additional IR704BD indoor remote stations and (1) additional outdoor remote station (with or without call button), to configure this system for even the largest homes. We know of no other system that can offer all of these features at this cost.

FEATURES

- Simple loop wiring from indoor remote to indoor remote
- Built-in front and rear electronic door chime can signal at all indoor remote locations
- Exceptional voice fidelity • Easy Installation
- Room-to-room communication and room monitoring
- Optional music capabilities for background music
- Optional electric door release (with IR704BD remotes)
- All-call standard between indoor remote stations

System Block Wiring Diagram (shown without optional door release wiring)



Due to continuous product improvement, all colors, sizes, materials, finishes and specifications are subject to change without notice.